

4490

Print position

1. OTHER
2. TOP SIDE
3. OTHER
4. BOTTOM

Printing size (mm)

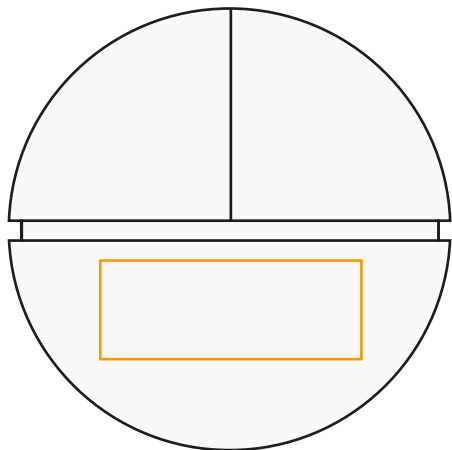
- 45 mm x 17 mm
- 20 mm x 17 mm
- 45 mm x 17 mm
- 45 mm x 17 mm

Printing code

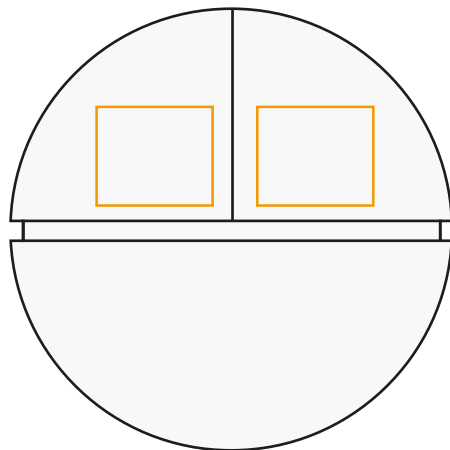
- TB
- TB
- DP2
- TB

Handlingcode

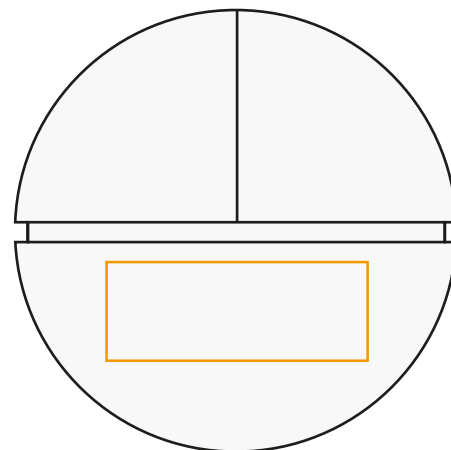
- HKB
- HKB
- HKB
- HKB



1 + 3. OTHER



2. TOP SIDE



4. BOTTOM